

Ventilation heat exchanger NIBE ERS S10-400

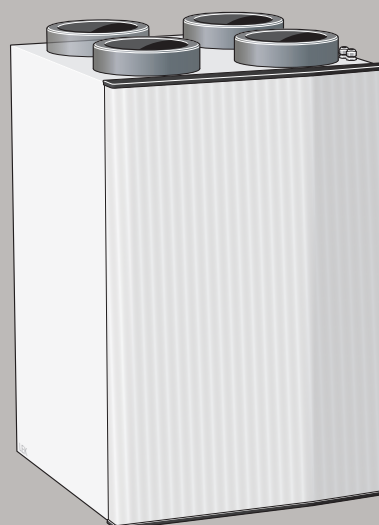


Table of Contents

1	<i>Important information</i>	4	7	<i>Program settings</i>	17
	Safety information	4		Start guide	17
	Serial number	4		Menu system	17
	Recovery	5			
	Inspection of the installation	6	8	<i>Disturbances in comfort</i>	19
				Troubleshooting	19
2	<i>Delivery and handling</i>	7	9	<i>Accessories</i>	20
	Transport and storage	7			
	Assembly	7	10	<i>Technical data</i>	21
	Supplied components	7		Dimensions ERS S10	21
	Removing the covers	8		Technical specifications	22
	Removing parts of the insulation	8		Energy labelling	22
				Electrical circuit diagram	23
3	<i>The ventilation heat exchanger design</i>	9		<i>Item register</i>	24
	Pipe connections	10		<i>Contact information</i>	27
	Sensors etc.	10			
	Electrical components	10			
	Ventilation	10			
	Miscellaneous	10			
4	<i>Pipe and ventilation connections</i>	11			
	Mounting	11			
	Condensation water drain	12			
	General ventilation connections	12			
	Ventilation flow	13			
	Adjusting ventilation	13			
	Dimension and ventilation connections	13			
	Preheating outdoor air	13			
5	<i>Electrical connection</i>	14			
	Connecting to main product	14			
	Outside air sensor	15			
6	<i>Commissioning and adjusting</i>	16			
	Preparations	16			
	Filling	16			
	Start-up and inspection	16			

1 Important information

Safety information

This manual describes installation and service procedures for implementation by specialists.

The manual must be left with the customer.

This appliance can be used by children aged from 8 years and above and persons with reduced physical, sensory or mental capabilities or lack of experience and knowledge if they have been given supervision or instruction concerning use of the appliance in a safe way and understand the hazards involved. Children shall not play with the appliance. Cleaning and user maintenance shall not be made by children without supervision.

Rights to make any design or technical modifications are reserved.

©NIBE 2020.

SYMBOLS



NOTE

This symbol indicates danger to person or machine .



Caution

This symbol indicates important information about what you should consider when installing or servicing the installation.



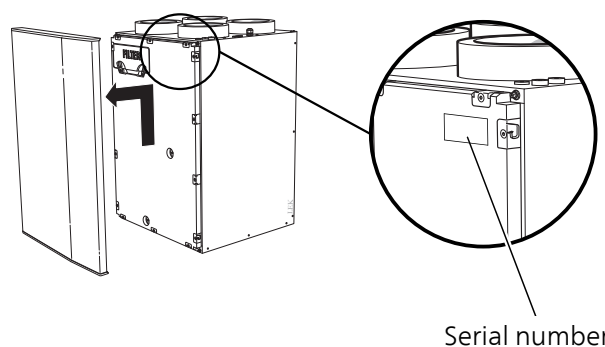
TIP

This symbol indicates tips on how to facilitate using the product.

MARKING

Serial number

The serial number can be found at the top right inside the front hatch.



Serial number



Caution

You need the product's serial number for servicing and support.

Recovery



Leave the disposal of the packaging to the installer who installed the product or to special waste stations.

■ When disposing of the product, its constituent materials and components, e.g. compressors, fans, circulation pumps and circuit boards, must be disposed of at a special waste station or dealer who provides this type of service.

To access the separate components, refer to the section that shows the construction of the product. No special tools are required for access.

Improper disposal of the product by the user results in administrative penalties in accordance with current legislation.

Inspection of the installation

Current regulations require the heating installation to be inspected before it is commissioned. The inspection must be carried out by a suitably qualified person. In addition, fill in the page for the installation data in the User Manual.

✓	Description	Notes	Signature	Date
	Electricity (page 14)			
	Connections			
	Main voltage			
	Fuses property			
	Earth circuit-breaker			

2 Delivery and handling

Transport and storage

ERS S10 should be transported and stored in the dry.

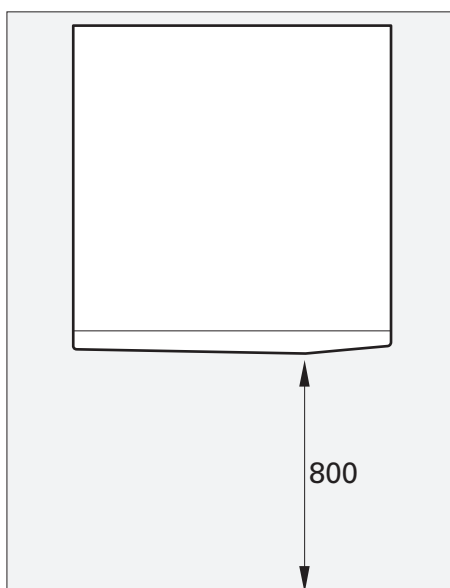
Assembly

ERS S10 is installed using the enclosed rail on a solid wall. Noise from the fans can be transferred to the rail.

- Install with its back to an outside wall, ideally in a room where noise does not matter, in order to eliminate noise problems. If this is not possible, avoid placing it against a wall behind a bedroom or other room where noise may be a problem.
- Wherever the unit is located, walls to sound sensitive rooms should be fitted with sound insulation.
- Condensation comes from the ventilation heat exchanger. A condensation outlet with a water seal must be installed and routed to an internal drain.
- The ventilation heat exchanger's installation area should always have a temperature of at least 10 °C and max. 35 °C.

INSTALLATION AREA

Leave a free space of 800 mm in front of the product.



NOTE

Ensure that there is necessary space (300 mm) above the exhaust ventilation heat exchanger for installing ventilation hoses.

Supplied components

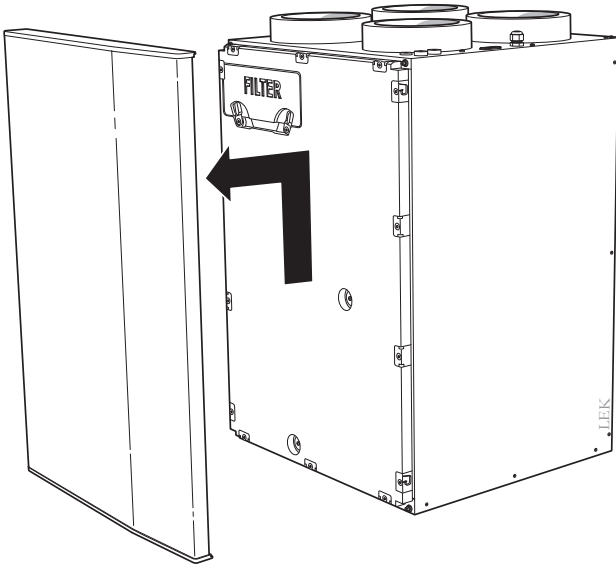


Rail for wall mounting

Removing the covers

FRONT COVER

1. Lift the front cover upwards slightly.
2. Pull the hatch towards yourself.

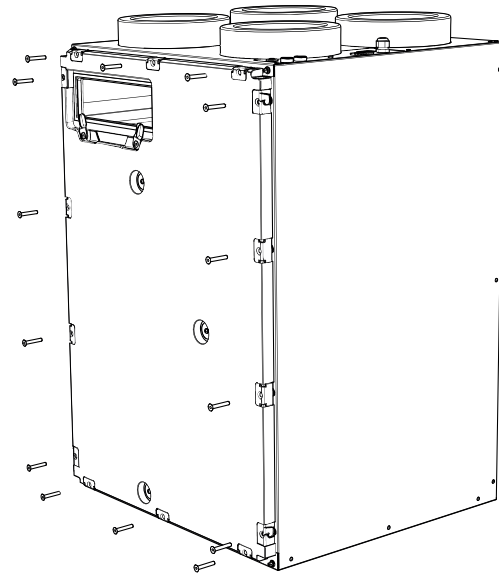


Removing parts of the insulation

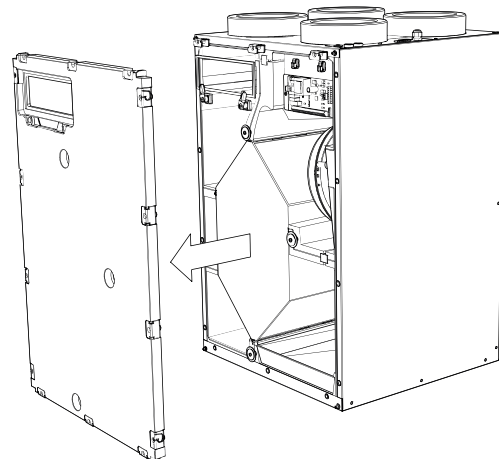
FRONT INSULATION

The insulation in the front must be removed to access the internal parts.

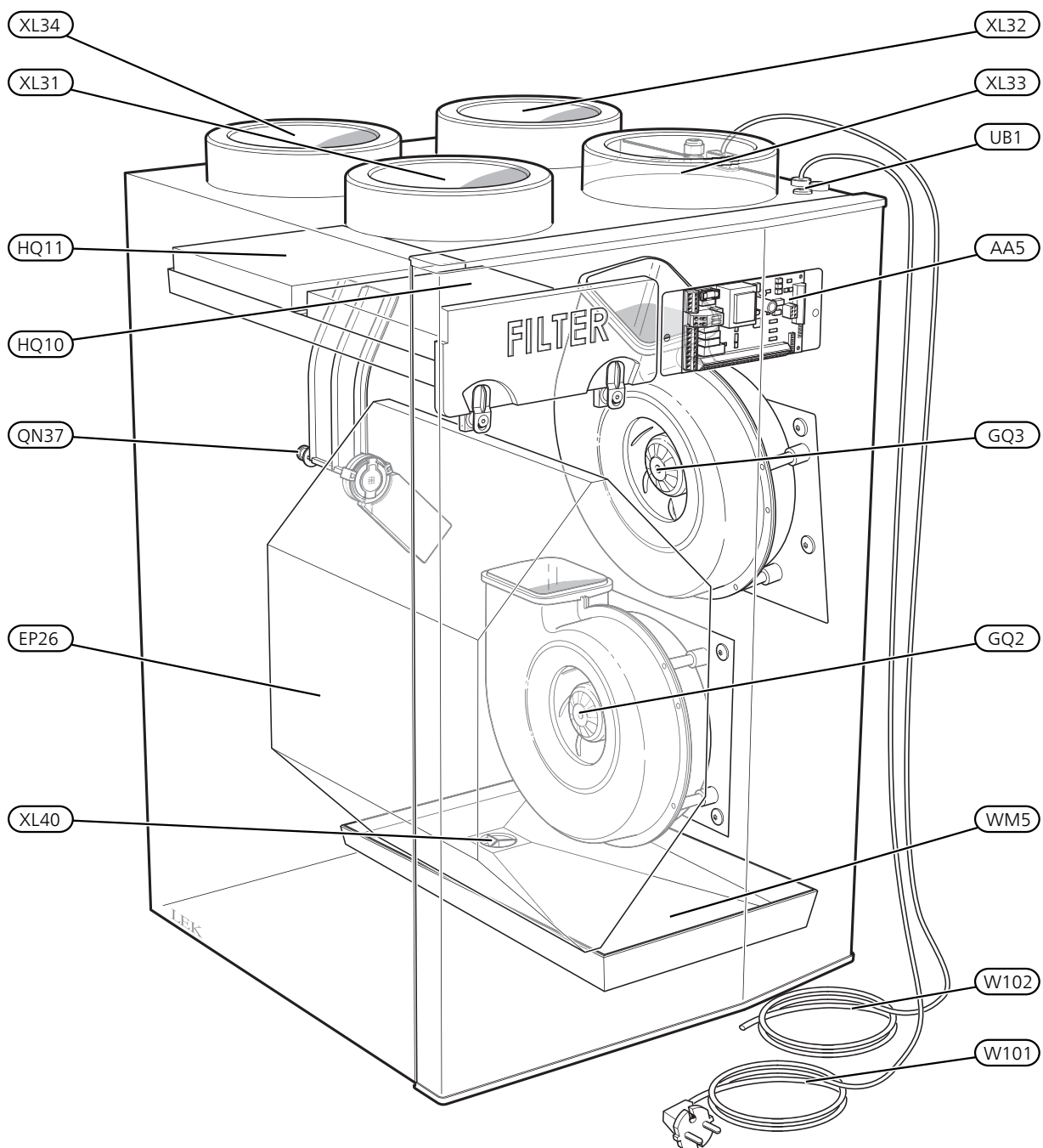
1. Remove the air filter.
2. Slacken off the screws that hold the insulation in place.



3. Pull the insulation straight out.



3 The ventilation heat exchanger design



Pipe connections

XL31	Ventilation connection, exhaust air
XL32	Ventilation connection, extract air
XL33	Ventilation connection, supply air
XL34	Ventilation connection, outdoor air
XL40	Condensation water drain

Sensors etc.

BT20	Temperature sensor, exhaust air
BT21	Temperature sensor, extract air
BT22	Temperature sensor, supply air
BT23	Temperature sensor, outdoor air

Electrical components

AA5	Accessory card
UB1	Cable gland
W101	Cord with connection plug
W102	Communication cable

Ventilation

EP26	Heat exchanger
GQ2	Exhaust air fan
GQ3	Supply air fan
HQ10	Exhaust air filter
HQ11	Supply air filter
QN37	Bypass damper

Miscellaneous

PF1	Type plate
WM5	Condensation water trough

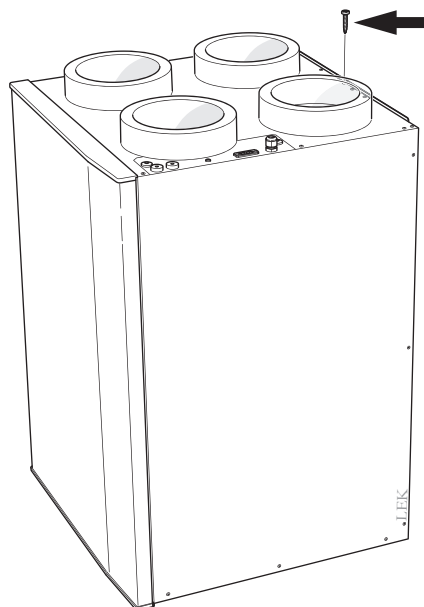
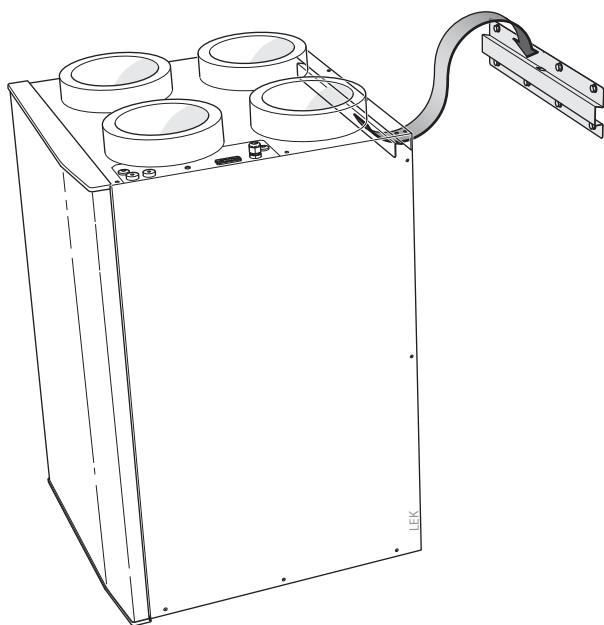
Designations according to standard EN 81346-2.

4 Pipe and ventilation connections

Mounting

When hanging on a wooden wall, a vibration damper is recommended to prevent vibration being transferred.

1. Install the enclosed bracket to the wall.
2. Install ERS S10 on the brackets.
3. Screw ERS S10 firmly into place on the bracket.



Condensation water drain

ERS S10 can produce several litres of condensation water per day. It is therefore important for the condensation outlet to be correctly executed and for the ventilation heat exchanger to be installed horizontally.

Check that the water seal is airtight and firmly in position. The connection must be made so that the user can check and top up the water seal, without opening ERS S10.

The condensation outlet is adapted for the type of water seal that is traditionally used for a wash basin (connection G32).

CLEANING THE CONDENSATION WATER DRAIN

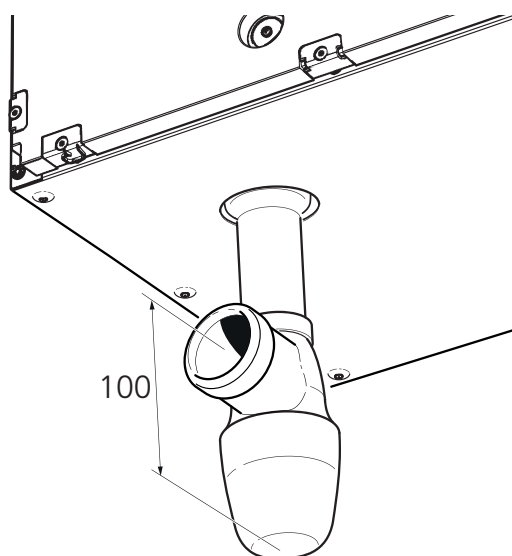
Condensation forms when ERS S10 is working. This condensation is led off and collected in the condensation water drain. Apart from water, a certain amount of dust and particles also collect there.

Check regularly that the condensation water drain and any floor drains are not blocked; water must be able to run through freely. Clean, if necessary.



NOTE

During operation, negative pressure arises in the ventilation heat exchanger, which means that a water column of at least 100 mm must be guaranteed in the water seal.



General ventilation connections

- Ventilation installation must be carried out in accordance with current norms and directives.
- Provision must be made for inspection and cleaning of the duct.
- The air duct system must be a minimum of air tightness class B.
- To prevent fan noise being transferred to the ventilation devices, silencers should be installed in the duct system. In the event of ventilation devices in noise-sensitive rooms, silencers must be installed.
- The extract air and outdoor air ducts are insulated using diffusion-proof material (at least PE30 or equivalent) along their entire lengths.
- Ensure that the condensation insulation is fully sealed at any joints and/or at lead-in nipples, silencers, roof cowls or similar.
- The air must be routed to the outdoor air duct through an outer wall grille in the facade. The outer wall grille must be installed so that it is protected from the weather and must be designed so that no rainwater and/or snow can penetrate the facade or follow the air into the duct.
- When positioning the outdoor air and extract air hood/grille, bear in mind that the two air flows must not short circuit to prevent the extract air from being drawn into ERS S10 again.
- A duct in a masonry chimney stack must not be used for extract air or outdoor air.



NOTE

To ensure a sealed connection to ERS S10, the supplied hose clips must be used for connecting the air ducts.

EXHAUST AIR DUCT /KITCHEN FAN

Exhaust air duct (kitchen fan) must not be connected to ERS S10.

To prevent food vapour being transferred to ERS S10 the distance between the kitchen fan and the exhaust air device must be considered. The distance should not be less than 1.5 m, but this can vary between different installations.

Always use a kitchen fan when cooking.

Ventilation flow

Connect ERS S10 so that all the exhaust air, except kitchen duct air (kitchen fan), passes through the heat exchanger (EP26) in the product.

The ventilation flow must comply with the applicable national standards.

The supply air flow must be lower than the exhaust air flow to prevent over pressure in the house.

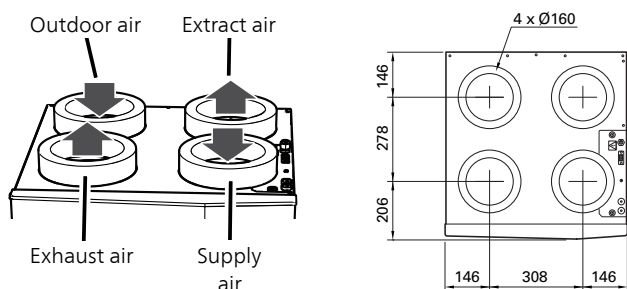
Adjusting ventilation

To obtain the necessary air exchange in every room of the house, the exhaust air valve and the supply air inlet as well as the fans in the ventilation heat exchanger must be correctly positioned and adjusted.

Immediately after installation adjust the ventilation so that it is set according to the projected value of the house.

Incorrect adjustment of the ventilation may lead to reduced installation efficiency and thus poorer operating economy, and may cause moisture damage in the building

Dimension and ventilation connections

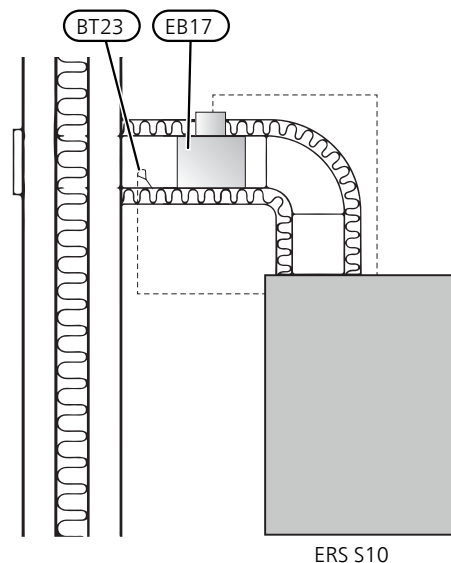


Preheating outdoor air

If the extract air temperature is too low, the supply air fan slows down to prevent the condensation water in the heat exchanger from freezing.

To prevent this from happening too often in areas with colder climates, an electrical air heater EAH (EB17) and an outdoor air sensor (BT23) should be installed in the outdoor air duct as illustrated. EAH heats the incoming outdoor air so that the extract air temperature does not fall to the stated level.

See the Installer Manual for EAH for more information.



ERS S10

5 Electrical connection



NOTE

All electrical connections must be carried out by an authorised electrician.

Electrical installation and wiring must be carried out in accordance with the stipulations in force.

ERS S10 must not be powered during installation.



NOTE

If the supply cable is damaged, only NIBE, its service representative or similar authorised person may replace it to prevent any danger and damage.



NOTE

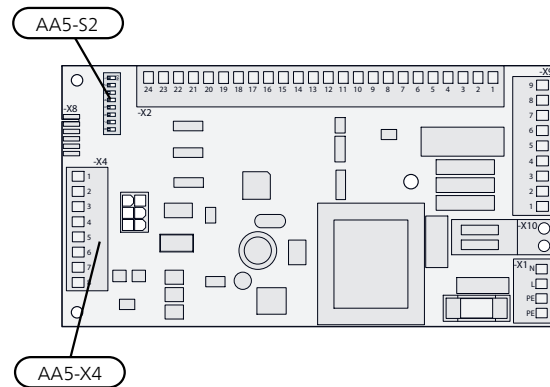
To prevent interference, sensor cables to external connections must not be laid close to high voltage cables.

For electrical wiring diagram, see page 23.

Connecting to main product

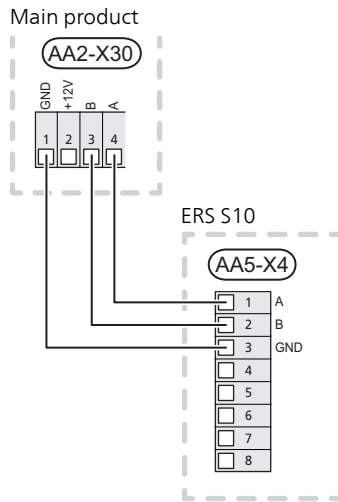
If several accessories are to be connected, or are already connected, the following cards must be connected in series with the previous card.

Use cable type LiYY, EKKX or similar.

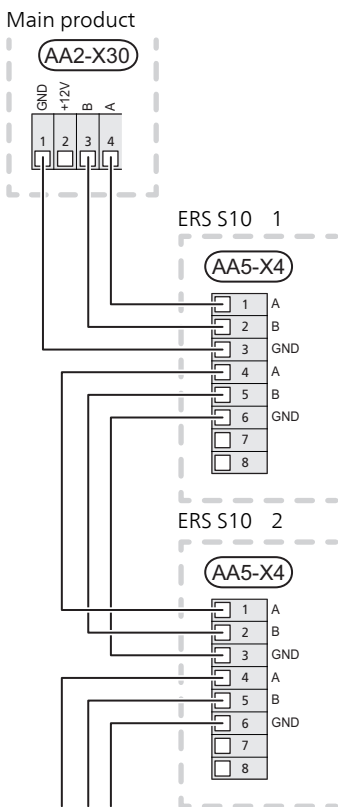


S-SERIES

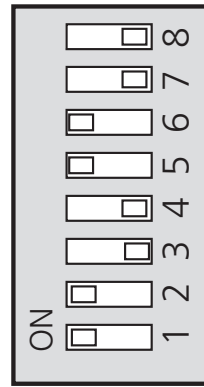
The communication cable (W102) in ERS S10 must be connected to the main product.



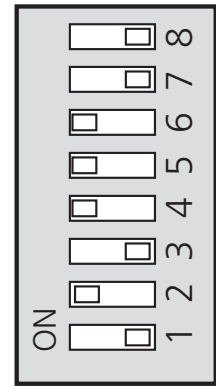
If more ERS S10 are to be installed, they must be connected in series as illustrated:



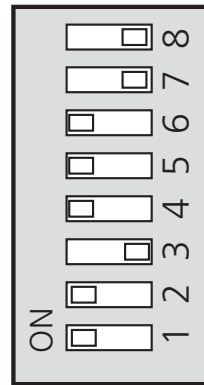
The DIP switch (AA5-S2) must be set as follows.



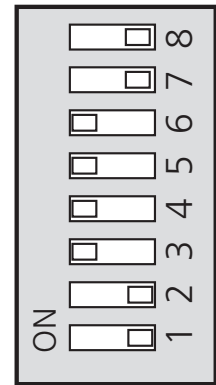
ERS S10 no. 1



ERS S10 no. 2



ERS S10 no. 3



ERS S10 no. 4

Outside air sensor

When installing with an electrical preheater (EAH), disconnect the outdoor air sensor (BT23) in ERS S10.

The enclosed outdoor air sensor EAH is placed in the outdoor air duct and connected to the accessory board (AA5) according to the Installer Manual for EAH.

6 Commissioning and adjusting

Preparations

- Check the miniature circuit-breaker (FA1) in the main product. It may have tripped during transportation.
- Check that the air filters are clean, they can become dirty after installation.

Filling

- Check that there is water in the water seal, fill if necessary.

Start-up and inspection

SETTING THE VENTILATION

The ventilation must be set according to applicable standards. Adjust the supply air flow to guarantee a negative pressure. The settings are made in menu 7.1.4.

Even if ventilation is roughly set at installation it is important that a ventilation adjustment is ordered and permitted.



Caution

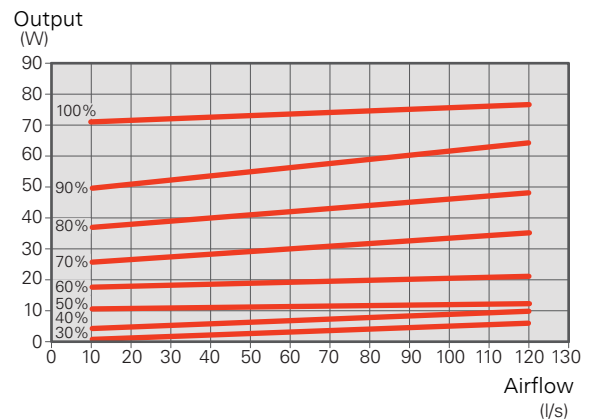
An incorrectly set ventilation flow can damage the house and may also increase energy consumption.



NOTE

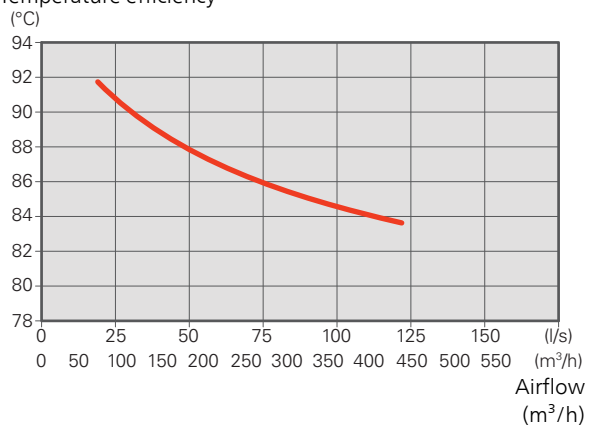
Order a ventilation adjustment to complete the setting.

Fan rating¹



¹The diagram shows the power consumption per fan.
Dry temperature efficiency according to EN 308

Temperature efficiency



7 Program settings

Program setting of ERS S10 can be performed via the start guide or directly in the menu system in the main product.



Caution

See the documentation for the main product.

Start guide

The start guide appears upon first start-up after heat pump installation, but is also found in menu 7.7.

Menu system

S-SERIES

If you do not make all settings via the start guide or need to change any of the settings, this can be done in the menu system.

Menu 7.2.1. - Add/remove accessories

Activating/deactivating of accessories.

Select "exhaust/supply air module 1-4".

Menu 7.2.11 - Ventilation heat exchanger (ERS)

lowest extract air temp.

Setting range: 0 – 10 °C

bypass at excess temperature

Setting range: 2 – 10 °C

bypass during heating

Setting range: on/off

cut-out value, exh. air temp.

Setting range: 5 – 30 °C

action level monitor

Setting range: Level monitor/Blocked/Off

Setting range: 1 – 100%

Setting range: 1 – 100%

Setting range: HTS 1 – 4

lowest extract air temp.: Set the minimum extract air temperature to prevent the heat exchanger freezing.

bypass at excess temperature: If a room sensor is installed, set the excess temperature at which the bypass damper is to open here.

bypass during heating: Used to operate the ventilation heat exchanger with bypass while producing heating.

cut-out val. exh. air temp.: Bypass is activated when the exhaust air temperature passes this temperature by the number of degrees specified in the option "bypass at excess temperature".

action level monitor: If level monitor is selected, the product issues an alarm and the fan stops when the input is closed. When blocking is selected, text in operating info shows that the input is closed. The fans stop until the input is open.

ERS S10 does not have a built-in level monitor; for this reason, select Level monitor in the menu when an external level monitor is connected. When the input is broken, the installation issues an alarm and the fans stop until the input is open.

Menu 1.2.1 - Fan speed

Alternatives: Normal and speed 1-4

The ventilation in the accommodation can be temporarily increased or reduced here.

When you have selected a new speed a clock starts a count down. When the time has counted down the ventilation speed returns to the normal setting.

If necessary, the different return times can be changed in menu 1.2.5.

The fan speed is shown in brackets (in percent) after each speed alternative.

Menu 1.2.2 - Night cooling

Start temperature, exhaust air

Setting range: 20 – 30 °C

Lowest diff., outdoor/exhaust air

Setting range: 3 – 10 °C

Activate night cooling here.

When the temperature in the house is high and the outdoor temperature is lower, a cooling effect can be obtained by forcing the ventilation.

If the temperature difference is greater than the set value for "Min diff outdoor and exhaust air", and the exhaust air temperature is higher than the set value for "Start temperature exhaust air", the ventilation operates at speed 4 until one of these conditions is no longer valid.



Caution

Night cooling can only be used when heating is not permitted, does not apply when "Bypass during heating" is selected (see menu 7.2.11).

If a room sensor is not activated, the desired offset of the heating curve is set. One step is usually enough to change the room temperature by one degree, but in some cases several steps may be required.



Caution

A schedule repeats according to the selected setting (e.g. every Monday) until you go into the menu and switch it off.

Menu 1.2.5 - Fan return time

Select the return time here for the temporary speed change (speed 1-4) of the ventilation in menu 1.2.1.

Return time is the time taken before the ventilation speed returns to normal speed.

Menu 1.2.6 - Filter cleaning interval

Cleaning interval

Setting range: 1 – 24 months

Clean the filter in ERS S10 regularly; how often depends on the amount of dust in the ventilation air.

Set the interval for the reminder to clean the filter in this menu.

The menu shows the time remaining until the next reminder, and you can also reset active reminders.

Menu 7.1.4.1 - Fan speed exhaust air

Normal and Speed 1-4

Setting range: 0 – 100 %

Set the speed for the five different selectable speeds for the fan here.

Menu 7.1.4.2 - Fan speed supply air

Normal and Speed 1-4

Setting range: 0 – 100%

Set the speed for the five different selectable speeds for the fan here.

Menu 6.2 - Scheduling

In this menu, you schedule repeated changes in heating and hot water.

You can also schedule settings for certain installed accessories.

If a room sensor is installed and activated, the desired room temperature (°C) is set during the time period.

8 Disturbances in comfort

In most cases, the main product notes a malfunction (a malfunction can lead to disturbance in comfort) and indicates this with alarms and shows action instructions in the display.

Troubleshooting

If the operational interference is not shown in the display the following tips can be used:

BASIC ACTIONS

Start by checking the following possible fault sources:

- That the main product is running and that the supply cable to ERS S10 is connected.
- Group and main fuses of the accommodation.
- The property's earth circuit breaker.
- The main product's fuses/temperature limiter.

HIGH OR LOW ROOM TEMPERATURE

- See Installer Manual for the main product.

LOW OR A LACK OF VENTILATION

- Filter blocked.
 - Clean or replace the filter.
- The ventilation is not adjusted.
 - Order/implement ventilation adjustment.
- Closed, too much choke or blocked ventilation device.
 - Check and clean the exhaust air devices.
- Fan speed in reduced mode.
 - Enter the main product's menu 1.2.1 and select "normal".
- External switch for changing the fan speed activated.
 - Check any external switches.
- Fan running slow because of low incoming outdoor air temperature.
 - Check the function and settings for the electrical air heater (EAH) if installed.

HIGH OR DISTRACTING VENTILATION

- Filter blocked.
 - Clean or replace the filter.
- The ventilation is not adjusted.
 - Order/implement ventilation adjustment.
- Closed, too much choke or blocked ventilation device.
 - Check and clean the exhaust air devices.
- Fan speed in forced mode.
 - Enter the main product's menu 1.2.1 and select "normal".
- External switch for changing the fan speed activated.
 - Check any external switches.
- Silencers not correctly installed.
 - Check the silencers.

9 Accessories

Some accessories manufactured before 2019 may need to have their circuit board updated in order to be compatible with ERS S10. For more information, see the Installer Manual for the relevant accessory.

ELECTRICAL AIR HEATER EAH 20

In cold weather, EAH 20-1800 heats the incoming outdoor air slightly to prevent the condensation in ERS S10 from freezing. Used mainly in colder climates.

Part no. 067 603

TOP CABINET

Top cabinet that conceals the ventilation ducts and reduces the sound to the installation room.

Height 245 mm

Part no. 089 756

Height 345 mm

Part no. 089 757

Height 445 mm

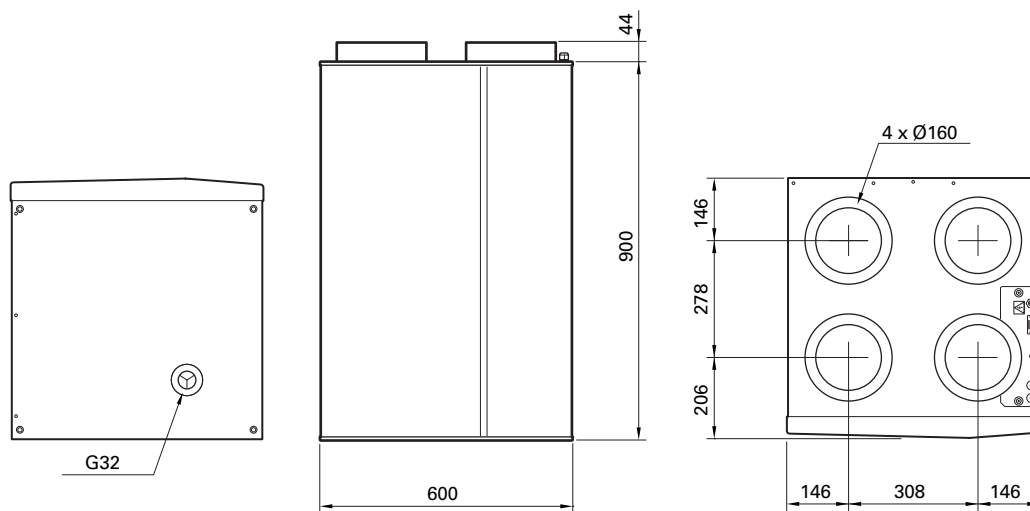
Part no. 067 522

Height 385-635 mm

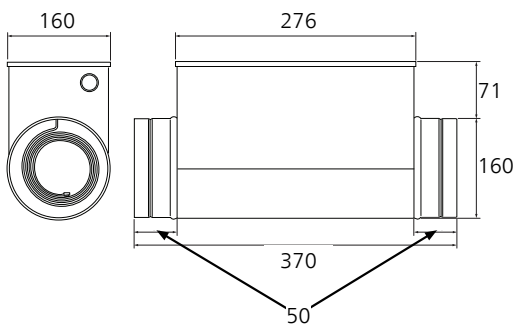
Part no. 089 758

10 Technical data

Dimensions ERS S10



EAH 20-1800



Technical

specifications

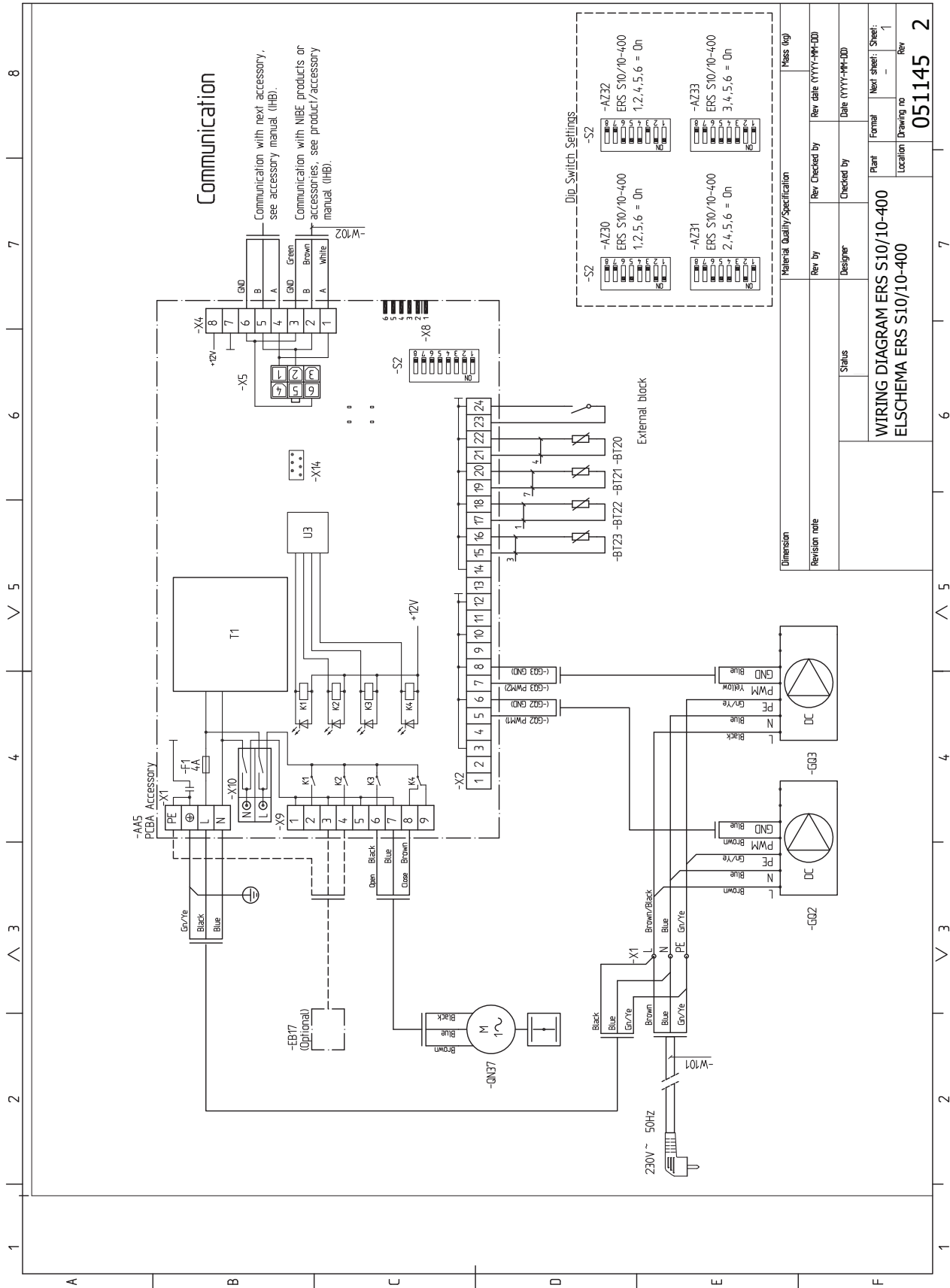
Type		ERS S10
<i>Electrical data</i>		
Supply voltage	V	230 V ~ 50Hz
Fuse	A	10
Driving power fan	W	2 x 85
Enclosure class		IP X1
<i>Ventilation</i>		
Filter type, exhaust air filter		ISO Coarse
Filter type, supply air filter		ePM1 55%
Sound power level ($L_{W(A)}$)	dB(A)	47
<i>Pipe connections</i>		
Ventilation \emptyset	mm	160
Condensation water drain	mm	G32
<i>Dimensions and weight</i>		
Efficiency class ¹		A
Length, supply cable	m	2.4
Length, control cable	m	2.0
Width	mm	600
Height	mm	900
Depth	mm	630
Weight	kg	40
Part no.		066 164

¹ Scale for efficiency class: A+ to G.

Energy labelling

Supplier		NIBE
Model		ERS S10-400
Specific energy consumption (SEC)	kWh/(m ² year)	Average: -37.5 Cold: -75.0 Warm: -13.4
Energy efficiency class		A
Declared typology		RVU, Bidirectional
Type of drive		Variable speed drive
Type of heat recovery system		Recuperative
Thermal efficiency of heat recovery		86
Maximum air flow rate	m ³ /h	394
Electric power input of the fan drive at maximum flow rate	W	163
Sound power level (LWA)	dB	47
Reference flow rate	m ³ /s	0.077
Reference pressure difference	Pa	50
Specific power input (SPI)	W/m ³ /h	0.242
Control factor and control typology		Clock control (0.95)
External leakage rates	%	Internal: 2.0 External: 1.6
Information about filter warning		See user manual.
Information about supply/exhaust grilles in the facade		See section General ventilation connections on page 12.
Information about pre-/disassembly		See section Recovery on page 5. This installer manual can also be accessed at nibe.eu.
The annual electricity consumption	kWh/year	318
Annual heating saved, kWh primary energy per year	kWh prim/year	Average: 4,483 Cold: 8,770 Warm: 2,027

ELECTRICAL CIRCUIT DIAGRAM



Item register

A

Accessories, 20
Assembly, 7

C

Commissioning and adjusting, 16
 Filling and venting, 16
 Preparations, 16
Condensation outlet, 12
 Cleaning, 12

D

Disturbances in comfort, 19
 Troubleshooting, 19

E

Electrical circuit diagram, 23
Electrical connection, 14
 Connecting to main product, 14
 DIP switch, 15
 Outside air sensor, 15
Energy labelling, 22
Exhaust air duct, 12

F

Filling and venting, 16

G

General ventilation, 12
 Adjustment, 13
 Preheating outdoor air, 13
 Ventilation flows, 13

I

Important information, 4
 Recycling, 5
Inspection of the installation, 6
Installation area, 7

M

Marking, 4
Menu system, 17

P

Pipe and ventilation connections
 Exhaust air duct, 12
Program settings, 17

R

Recycling, 5
Removing the covers, 8

S

Safety information
 Inspection of the installation, 6
 Marking, 4
 Symbols, 4
Serial number, 4
Start guide, 17
Start-up and inspection
 Setting the ventilation, 16
Supplied components, 7
Symbols, 4

T

Technical data
 Electrical circuit diagram, 23
The design of the exhaust air module, 9
 List of components, 10
Transport and storage, 7
Troubleshooting, 19

Contact information

AUSTRIA

KNV Energietechnik GmbH
Gahberggasse 11, 4861 Schörfling
Tel: +43 (0)7662 8963-0
mail@knv.at
knv.at

CZECH REPUBLIC

Družstevní závody Dražice - strojírna
s.r.o.
Dražice 69, 29471 Benátky n. Jiz.
Tel: +420 326 373 801
nibe@nibe.cz
nibe.cz

DENMARK

Vølund Varmeteknik A/S
Industrivej Nord 7B, 7400 Herning
Tel: +45 97 17 20 33
info@volundvt.dk
volundvt.dk

FINLAND

NIBE Energy Systems Oy
Juurakkotie 3, 01510 Vantaa
Tel: +358 (0)9 274 6970
info@nibe.fi
nibe.fi

FRANCE

NIBE Energy Systems France SAS
Zone industrielle RD 28
Rue du Pou du Ciel, 01600 Reyrieux
Tél: 04 74 00 92 92
info@nibe.fr
nibe.fr

GERMANY

NIBE Systemtechnik GmbH
Am Reiherpfahl 3, 29223 Celle
Tel: +49 (0)5141 75 46 -0
info@nibe.de
nibe.de

GREAT BRITAIN

NIBE Energy Systems Ltd
3C Broom Business Park,
Bridge Way, S41 9QG Chesterfield
Tel: +44 (0)845 095 1200
info@nibe.co.uk
nibe.co.uk

NETHERLANDS

NIBE Energietechnik B.V.
Energieweg 31, 4906 CG Oosterhout
Tel: +31 (0)168 47 77 22
info@nibenl.nl
nibenl.nl

NORWAY

ABK AS
Brobekkveien 80, 0582 Oslo
Tel: (+47) 23 17 05 20
post@abkklima.no
nibe.no

POLAND

NIBE-BIAWAR Sp. z o.o.
Al. Jana Pawla II 57, 15-703 Bialystok
Tel: +48 (0)85 66 28 490
biawar.com.pl

RUSSIA

EVAN
bld. 8, Yuliusa Fuchika str.
603024 Nizhny Novgorod
Tel: +7 831 419 57 06
kuzmin@evan.ru
nibe-evan.ru

SWEDEN

NIBE Energy Systems
Box 14
Hannabadsvägen 5, 285 21 Markaryd
Tel: +46 (0)433-27 3000
info@nibe.se
nibe.se

SWITZERLAND

NIBE Wärmetechnik c/o ait Schweiz
AG
Industriepark, CH-6246 Altishofen
Tel. +41 (0)58 252 21 00
info@nibe.ch
nibe.ch

For countries not mentioned in this list, contact NIBE Sweden or check nibe.eu for more information.

NIBE Energy Systems
Hannabadsvägen 5
Box 14
SE-285 21 Markaryd
info@nibe.se
nibe.eu

IHB EN 2014-2 531299

This manual is a publication from NIBE Energy Systems. All product illustrations, facts and data are based on the available information at the time of the publication's approval. NIBE Energy Systems makes reservations for any factual or printing errors in this manual.

©2020 NIBE ENERGY SYSTEMS

